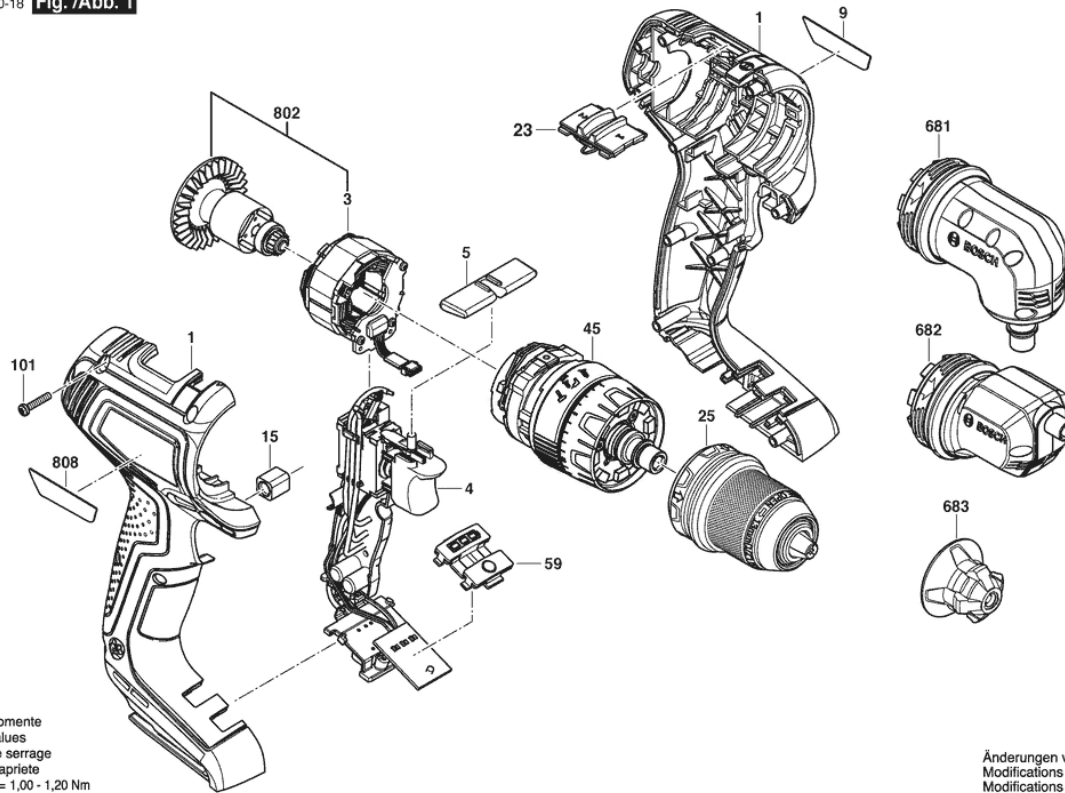


Illustration - Type - E

3 603 JE2 100  
 Issue | 23-10-18  
 Stand | **Fig./Abb. 1**

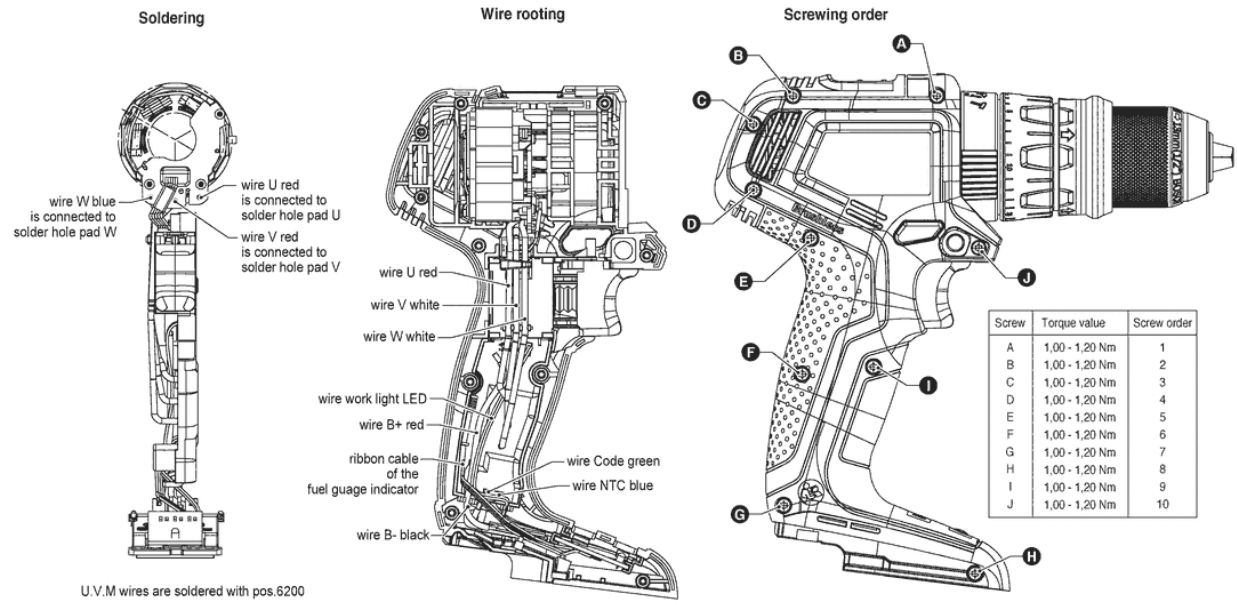


Anzugsmomente  
 Torque values  
 Couple de serrage  
 Pares de apriete  
 Pos. 101 = 1,00 - 1,20 Nm

Änderungen vorbehalten  
 Modifications reserved  
 Modifications réservées  
 Salvo modificaciones

Illustration - Type - E

3 603 JE2 100  
 Issue/Stand 23-10-12 **Fig./Abb. 2**

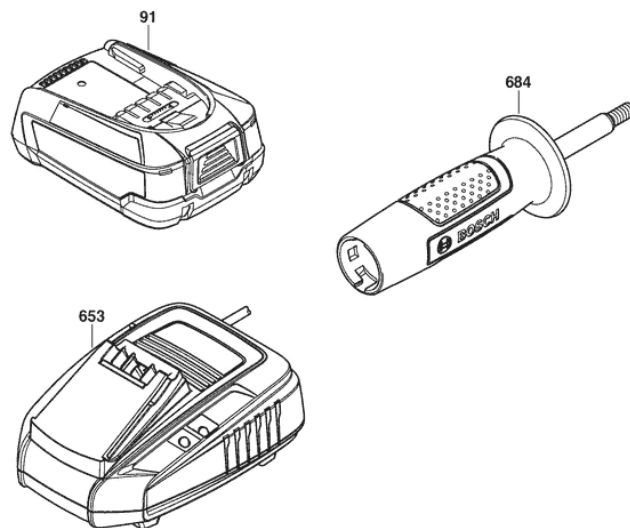


U.V.M wires are soldered with pos.6200

Änderungen vorbehalten  
 Modifications reserved  
 Modificaciones reservées  
 Salvo modificaciones

Illustration - Type - E

3 603 JE2 100  
Issue | 23-10-18  
Stand | **Fig./Abb. 3**



Änderungen vorbehalten  
Modifications reserved  
Modifications réservées  
Salvo modificaciones

## Spare parts list

Item	Part Number	Description	Illustration
1	1 605 806 6EB	Housing	1
3	1 619 P17 835	Stator	1
4	2 607 202 587	Switch assembly	1
5	1 600 A02 GU7	Changeover Lever	1
9	1 601 11C 5R2	Manufacturer's nameplate	1
15	1 600 A02 U73	Square Nut	1
23	1 600 A02 GS9	Switchover Unit	1
25	1 600 A02 GB5	Chuck attachment	1
45	1 600 A02 EV5	Planetary Gear Train	1
59	1 600 A02 H3N	Cover	1
101	2 609 110 201	Torx Flat-Head Screw 3X16	1
681	1 600 A02 F5B	Combi Angle Drive	1
682	1 600 A02 HD4	Eccentric attachment	1
683	1 600 A01 30R	Holding Device	1
802	1 607 022 6BD	Rotor	1
808	1 601 11A B22	Nameplate	1
91	1 607 A35 ORP	Battery Pack	3
91	1 607 A35 ORU	Battery Pack	3
91	1 607 A35 1C9	Battery Pack	3
91	1 617 S02 202	Battery Pack	3
653	2 607 226 517	Charger	3
653	2 607 226 519	Charger	3
653	2 607 226 593	Charger	3
684	1 602 025 0B4	Auxiliary Handle	3